

POOL

MODELS: 334 THROUGH 824

CATALOG NO. 9100.60

Effective: 09-01-17

Replaces: 03-15-17

RAYPAK ILLUSTRATED PARTS LIST

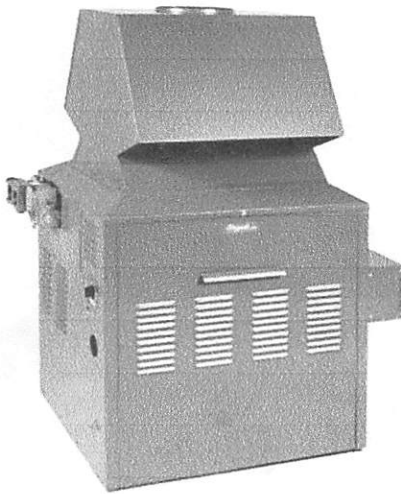
MODEL SIZES: 334, 404, 514, 624, 724 & 824

MODEL TYPE: COMMERCIAL POOL

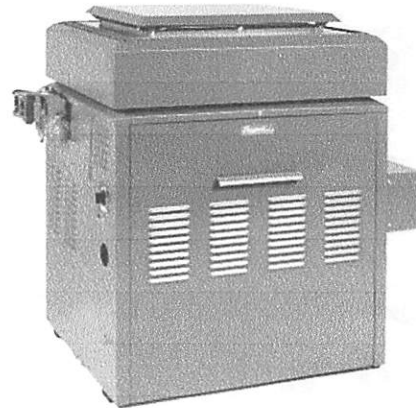
DATES OF MANUFACTURE: 10-1-82 THROUGH CURRENT (EXCEPT AS NOTED)

MODELS: 334,404 10-01-82 THROUGH 11-01-86

THE PARTS LISTED ARE FOR STANDARD EQUIPMENT FOR THIS MODEL TYPE. RAYPAK RESERVES THE RIGHT TO SUBSTITUTE, DELETE OR CHANGE ANY PART WITHOUT NOTIFICATION. THE ADDITION OF OPTIONS MAY ALSO CHANGE SOME OF THE PARTS. ORDER REPLACEMENT PARTS FROM ACTUAL HEATER COMPONENTS.



724 Indoor



724 Outdoor

FOR DETAILED INSTRUCTIONS, SEE "HOW TO USE YOUR RAYPAK ILLUSTRATED PARTS LIST",
CATALOG NO. 9001.10



Raypak, Inc., 2151 Eastman Avenue, Oxnard, CA 93030

(805) 278-5300 Fax (800) 872-9725

Litho In U.S.A.

100-100000-100000

100-100000-100000

100-100000-100000

100-100000-100000

100-100000-100000

100-100000-100000

100-100000-100000

100-100000-100000

100-100000-100000

100-100000-100000

100-100000-100000

100-100000-100000

100-100000-100000

100-100000-100000

100-100000-100000

100-100000-100000

100-100000-100000

100-100000-100000

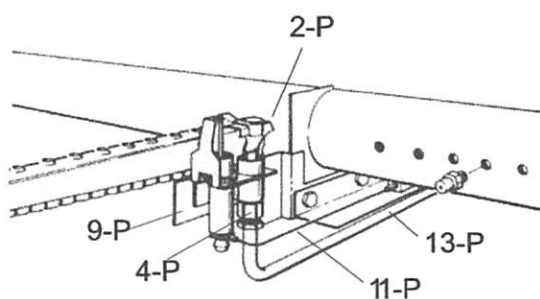
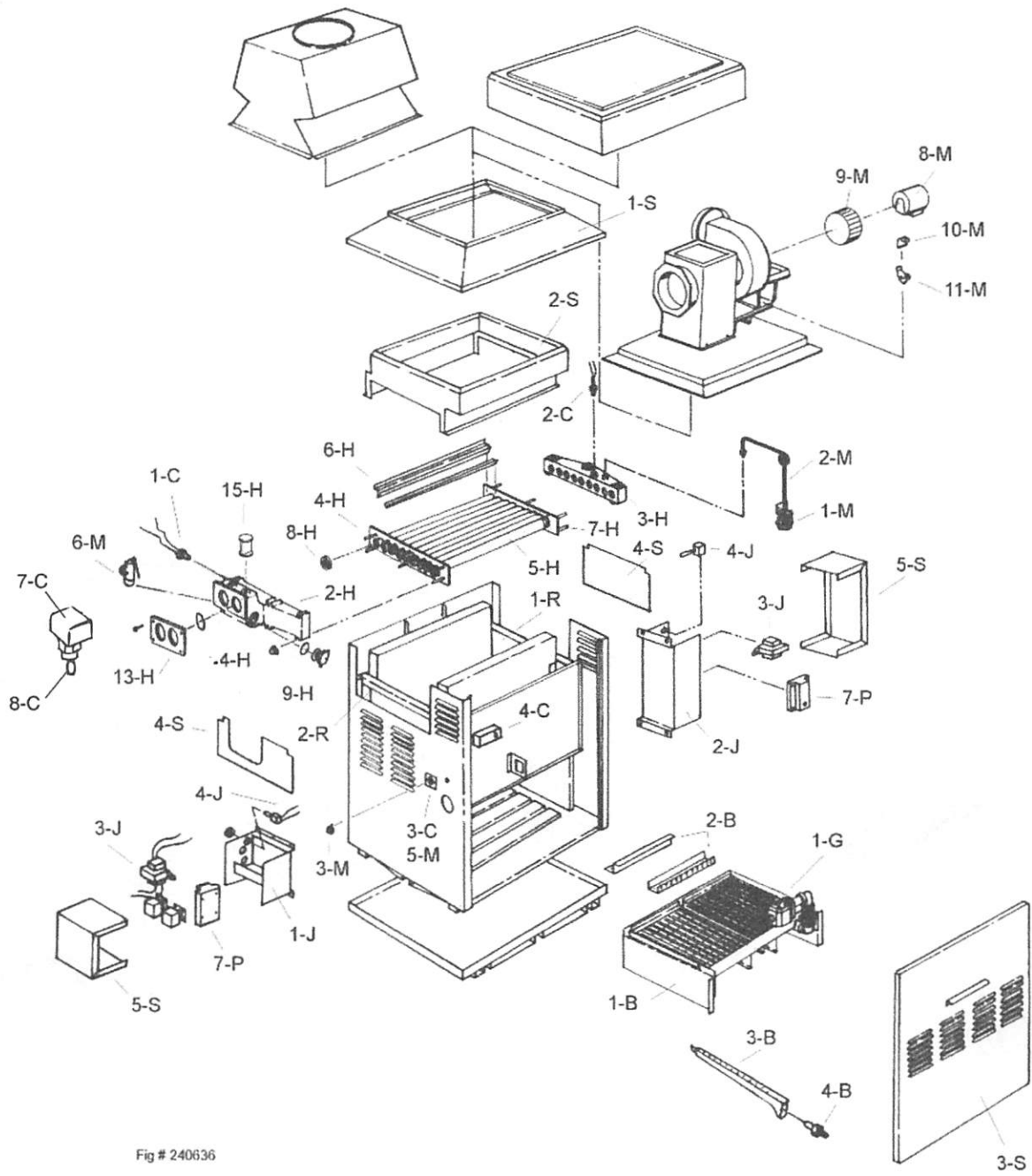
100-100000-100000

100-100000-100000

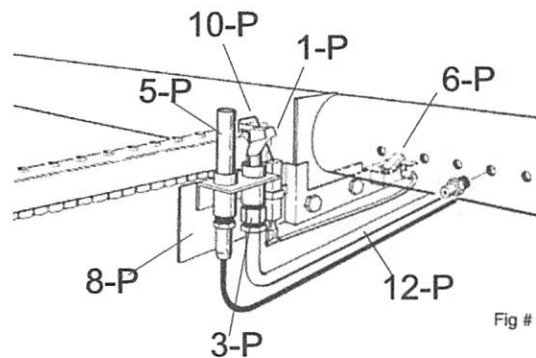
100-100000-100000

100-100000-100000

100-100000-100000



PILOT ASSEMBLY- ELECTRONIC IGNITION



PILOT ASSEMBLY- STANDING PILOT

CALL	DESCRIPTION	824	724	624	514	404	334	824
B	BURNER TRAY							
1-B	Burner Tray w/Burners (Sea Level)	001859F	001857F	001855F	001853F	001851F	001849F	001847F
2-B	Burner Tray w/Burners (Sea Level) w/Spacer/hold Down Bracket Kit	001871F	001869F	001867F	001865F	001863F	001861F	001859F
3-B	Burner	001880F	001878F	001876F	001874F	001872F	001870F	001868F
4-B	Burner Office Nat. #49 (Sea Level)	350078F/50	350078F/44	350078F/38	350078F/31	350078F/24	350078F/20	350078F/14
1-C	High Limit 135F (Screw-In)	600892B	600892B	600892B	600892B	600892B	600892B	600892B
2-C	High Limit 140F (Screw-In)	600893B	600893B	600893B	600893B	600893B	600893B	600893B
3-C	Thermostat Control	003346F	003346F	003346F	003346F	003346F	003346F	003346F
4-C	Manual HI Limit Control	009554F	009554F	009554F	009554F	009554F	009554F	009554F
5-C	Low Water Cut Off (Cal Code Only)	006202F	006202F	006202F	006202F	006202F	006202F	006202F
6-C	Temp Controller, 0-100 F (Not Shown)	006040	006040	006040	006040	006040	006040	006040
7-C	Flow Switch	007142F	007142F	007142F	007142F	007142F	007142F	007142F
8-C	Flow Switch Paddle McDonnell Miller	004079F	004079F	004079F	004079F	004079F	004079F	004079F
1-G	GAS VALVE							
1-G	Combustion Valve Nat. Millivolt	003898F	003898F	003898F	003898F	003898F	003898F	003898F
1-G	Combustion Valve Pro. Millivolt	003899F	003899F	003899F	003899F	003899F	003899F	003899F
1-G	Combustion Valve Nat. Standing Pilot 24V	004868F	004868F	004868F	004868F	004868F	004868F	004868F
1-G	Combustion Valve Pro. Standing Pilot 24V	003569F	003569F	003569F	003569F	003569F	003569F	003569F
1-G	Combustion Valve Nat. IID	003900F	003900F	003900F	003900F	003900F	003900F	003900F
1-G	Combustion Valve Pro. IID	004306F	004306F	004306F	004306F	004306F	004306F	004306F
1-G	Combustion Valve Nat. IID CSD-1							
1-G	Combustion Valve Pro. IID CSD-1							
1-G	Auto On/Off Gas Valve CSD-1							
1-G	Pilot Gas Valve, 24V, IID Only							
1-G	Pilot Regulator Nat., IID Only							
1-G	Pilot Regulator Pro., IID Only							
1-G	Manual "A" Valve 1"							
1-G	Manual "B" Valve							
1-G	Blowdown Valve 1/4 CMP							
1-G	Blowdown Valve 1/8 NPT							
H	HEAT EXCHANGER							
1-H	Inlet/Outlet Header (Complete)	002466F	002466F	002466F	002466F	002466F	002466F	002466F
2-H	Inlet/Outlet Header For use with a screw-in high limit	002473F	002473F	002473F	002473F	002473F	002473F	002473F
3-H	Return Header For use with bulb mounted high limit	002491F	002491F	002491F	002491F	002491F	002491F	002491F
4-H	Tube Bundle	003161F	003161F	003161F	003161F	003161F	003161F	003161F
5-H	Heat Exchange Tube	002397F	002397F	002397F	002397F	002397F	002397F	002397F
6-H	Bath Kit	001617F	001617F	001617F	001617F	001617F	001617F	001617F
7-H	Bath Kit	001051F	001051F	001051F	001051F	001051F	001051F	001051F
8-H	Header Gasket	800086B	800086B	800086B	800086B	800086B	800086B	800086B
9-H	Understem Governor	002475F	002475F	002475F	002475F	002475F	002475F	002475F
10-H	Drain Valve 1/4 NPT	014158F	014158F	014158F	014158F	014158F	014158F	014158F
11-H	Sensor Well	007211F	007211F	007211F	007211F	007211F	007211F	007211F
12-H	Well Retainer Clip	300203	300203	300203	300203	300203	300203	300203
15-H	Manual Bypass Valve	006994F	006994F	006994F	006994F	006994F	006994F	006994F
13-H	Inlet/Outlet Flange	002477F	002477F	002477F	002477F	002477F	002477F	002477F
14-H	Flange Gasket	800080B	800080B	800080B	800080B	800080B	800080B	800080B
J	J BOX							
1-J	J Box Nat. IID (Complete)	002648F	002648F	002648F	002648F	002648F	002648F	002648F
2-J	J Box Nat./Pro. IID/Lock (Complete)	002479F	002479F	002479F	002479F	002479F	002479F	002479F
3-J	Toggle Switch	006736F	006736F	006736F	006736F	006736F	006736F	006736F
4-J	Toggle Switch (Remote Spa)	650760	650760	650760	650760	650760	650760	650760

FOR ALTITUDES ABOVE 2,000 FEET ABOVE SEA LEVEL, CONSULT THE FACTORY.

CALL OUT	DESCRIPTION	334	404	514	624	724	824
M	MISCELLANEOUS COMPONENTS						
1-M	Pressure Switch	062237B	062237B	062237B	062237B	062237B	062237B
2-M	Pressure Switch Tube Assy.	003273F	003273F	003273F	003273F	003273F	003273F
3-M	Thermostat Knob	006885F	006885F	006885F	006885F	006885F	006885F
4-M	Knobstop	006886F	006886F	006886F	006886F	006886F	006886F
5-M	Dial Plate	900536	900536	900536	900536	900536	900536
6-M	PRV 125 PSI	007224F	007224F	007224F	007224F	007224F	007224F
7-M	Delimiting Kit	052870F	052870F	052870F	052870F	052870F	052870F
8-M	Power Vent Motor			951105F	951105F	951105F	951105F
9-M	Power Vent Wheel			951106F	951106F	951106F	951106F
10-M	Power Vent PC Board			005503F	005503F	005503F	005503F
11-M	Power Vent Pressure Switch			601212	601212	601212	601212
12-M	Touch-up Paint Green	750125	750125	750125	750125	750125	750125
P	PILOT						
1-P	Pilot Nat. Standing	N/A	N/A				
	Pilot Pro. Standing	N/A	N/A				
	Pilot Nat. Standing (Remote Spa)	002412F	002412F				
	Pilot Pro. Standing (Remote Spa)	002413F	002413F				
2-P	Pilot Nat. IID	002234F	002234F	002234F	002234F	002234F	002234F
	Pilot Pro. IID			002235F	002235F	002235F	002235F
3-P	Pilot Orifice Nat. Standing	600552	600552				
	Pilot Orifice Pro. Standing	N/A	N/A				
4-P	Pilot Orifice Nat. IID	600552	600552	600552	600552	600552	600552
	Pilot Orifice Pro. IID			600894	600894	600894	600894
5-P	Pilot Generator Standing	600019B	600019B				
	Thermocouple (Remote Spa)	600003	600003				
6-P	Igniter Standing (Piezo)	N/A	N/A				
7-P	Ignition Control IID Nat.	004817B	004817B	004817B	004817B	004817B	004817B
	Ignition Control IID Pro.			004818B	004818B	004818B	004818B
8-P	Mounting Bracket Standing	N/A	N/A				
9-P	Mounting Bracket IID	304666	304666	304666	304666	304666	304666
10-P	Ignition Rod Standing	N/A	N/A				
11-P	Ignition Wire IID	016514F	016514F	016514F	016514F	016514F	016514F
12-P	Pilot Tube Standing	004078F	004078F				
13-P	Pilot Tube IID (Specify Length)	400013	400013	400013	400013	400013	400013
14-P	High Tension Wire	002663B	002663B	002663B	002663B	002663B	002663B
R	REFRACTORY						
1-R	Refractory Kit	001312F	001313F	001314F	001315F	001316F	001317F
2-R	Refractory Retainer Kit	001627F	001627F	001627F	001627F	001627F	001627F
S	SHEET METAL						
1-S	Jacket Top						
	Units manufactured prior to 07/27/16	N/A	N/A	002419F	002420F	002421F	002422F
	Units manufactured from 07/27/16			016054F	016055F	016056F	016057F
2-S	Flue Collector	N/A	N/A	002425F	002426F	002427F	002428F
3-S	Door Assy. (Units manufactured prior to 07/27/16)	N/A	N/A	001836F	001837F	001838F	001839F
	Door Assy. w/ Side Latch (Units manufactured from 07/27/16)	N/A	N/A	014176F	014177F	014178F	014179F
4-S	Access Panel Group	001841F	001841F	001841F	001841F	001841F	001841F
5-S	J Box Sheetmetal	002668F	002668F	002668F	002668F	002668F	002668F
6-S	Combustible Floor Shield	N/A	N/A	001111	001112	001113	001114
7-S	Low Water Cut Off Control Cover	016629F	016629F	016629F	016629F	016629F	016629F
V	VENTING						
1-V	Stackless Top Kit (Outdoor)	N/A	N/A	001103	001104	001105	001106
2-V	Draft Hood Kit (Indoor)	N/A	N/A	001457	001458	001459	001460

For gas conversions, please consult the factory.

